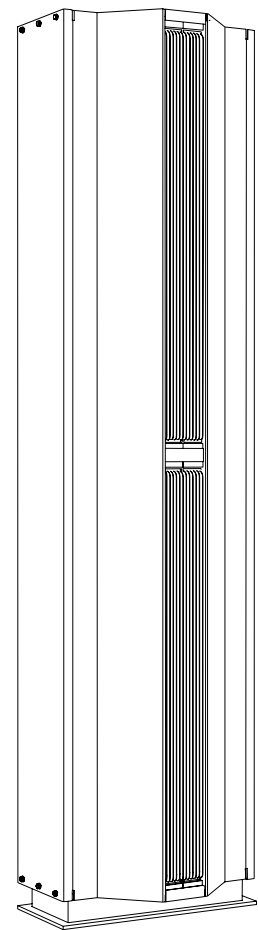
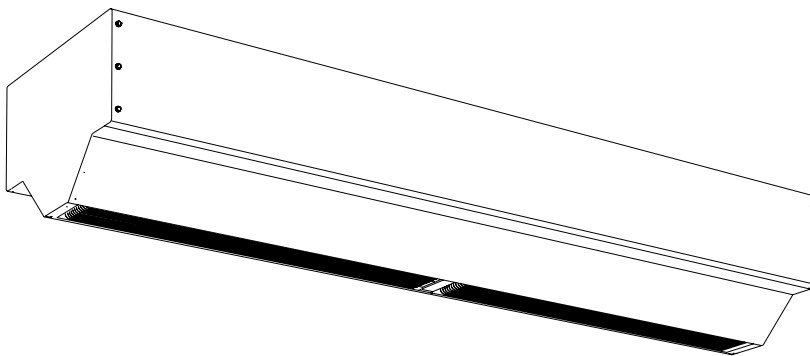


Original instructions
AGI4500/6000



SE ... 18

GB ... 21

NO ... 24

FR ... 27

DE ... 31

ES ... 35

NL ... 39

IT ... 43

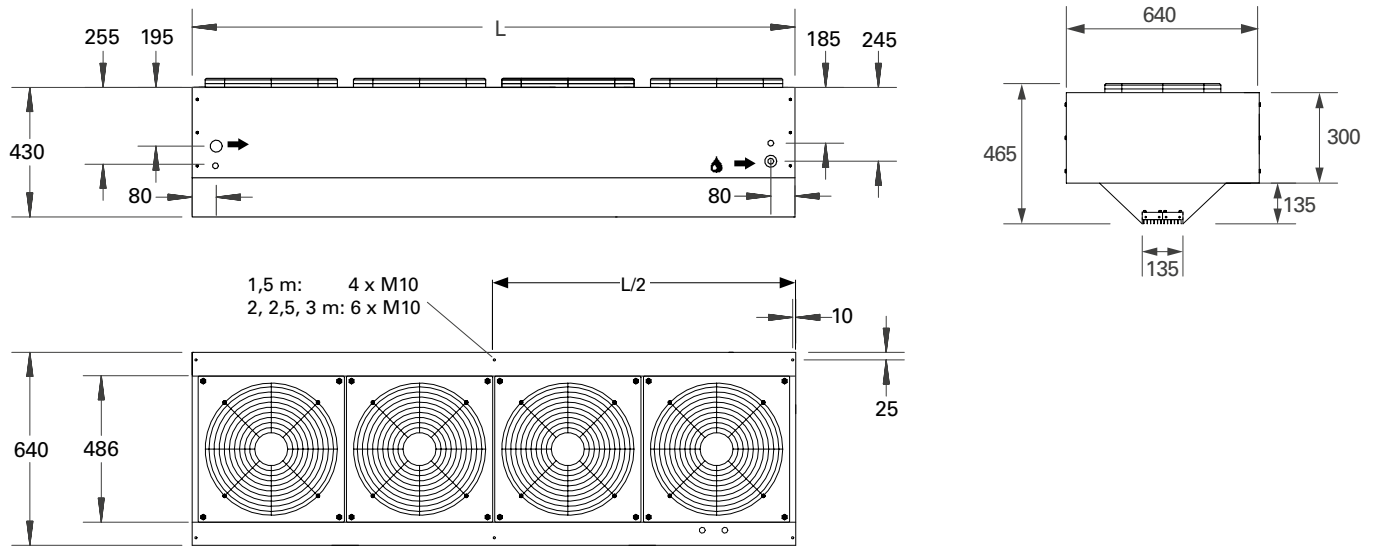
PL ... 47

RU ... 51

- SE** Introduktionssidorna består huvudsakligen av bilder. För översättning av de engelska texter som används, se respektive språksidor.
- GB** The introduction pages consist mainly of pictures. For translation of the English texts used, see the respective language pages.
- NO** Introduksjonssidene består hovedsakelig av bilder. For oversettelse av de engelske tekstene, se de respektive språksidene
- FR** Les pages de présentation contiennent principalement des images. Consulter la page correspondant à la langue souhaitée.
- DE** Die Einleitungsseiten bestehen hauptsächlich aus Bildern. Für die Übersetzung der verwendeten Texte in englischer Sprache, siehe die entsprechenden Sprachseiten.
- ES** Las páginas introductorias contienen básicamente imágenes. Consulte la traducción de los textos en inglés que las acompañan en las páginas del idioma correspondiente.
- NL** De inleidende pagina's bevatten hoofdzakelijk afbeeldingen. Voor een vertaling van de gebruikte Engelse teksten, zie de pagina's van de resp. taal.
- IT** Le pagine introduttive contengono prevalentemente immagini. Per le traduzioni dei testi scritti in inglese, vedere le pagine nelle diverse lingue.
- PL** Początkowe strony zawierają głównie rysunki. Tłumaczenie wykorzystanych tekstów angielskich znajduje się na odpowiednich stronach językowych.
- RU** Страницы в начале Инструкции состоят в основном из рисунков, схем и таблиц. Перевод встречающегося там текста приведен в разделе RU.

AGI4500

Horizontal mounting



	L [mm]
AGI4515	1500
AGI4520	2000
AGI4525	2500
AGI4530	3000

🔴 DN25 (1"), inside thread

Vertical mounting

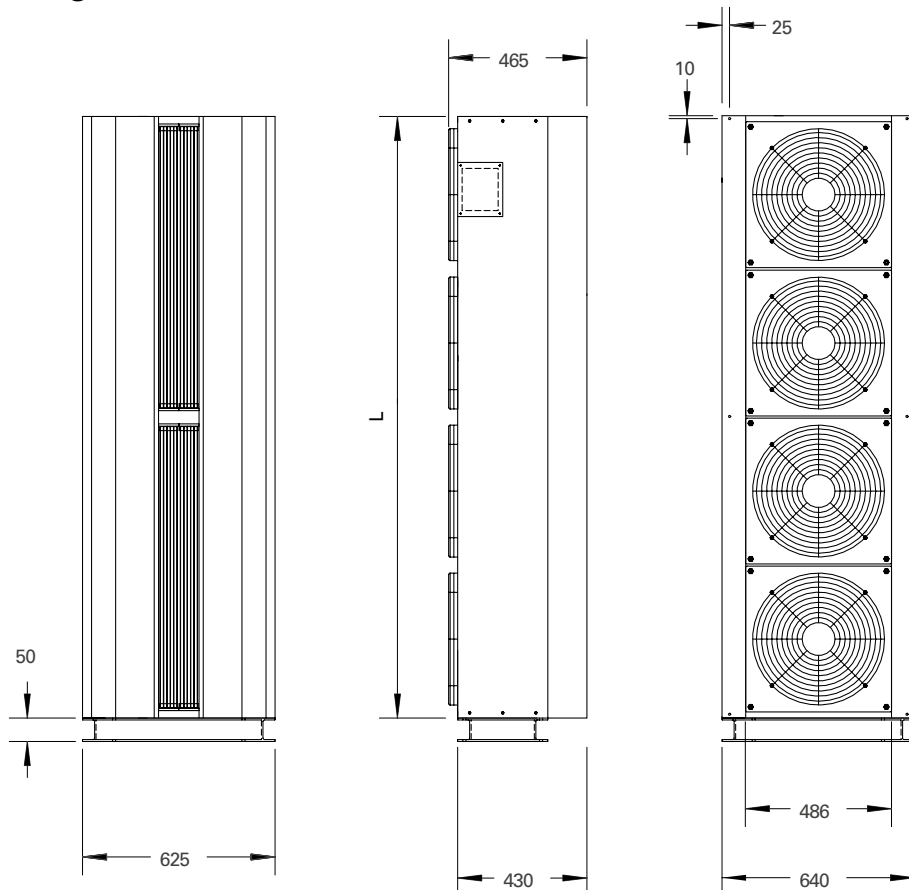
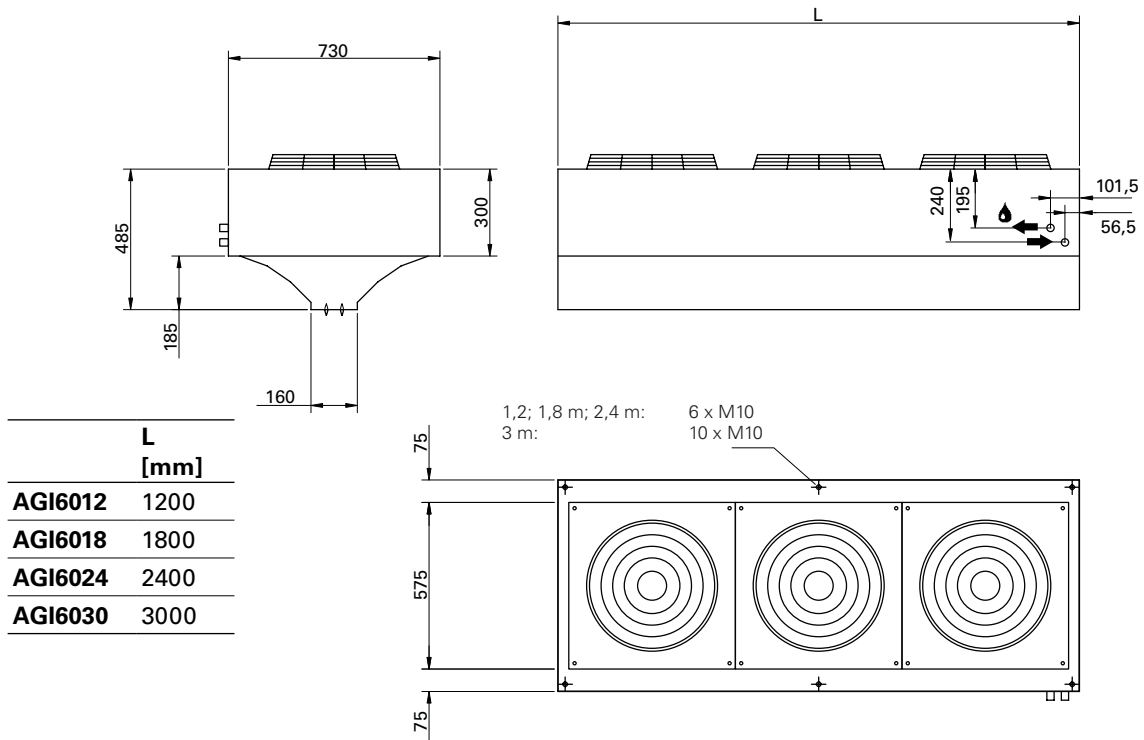


Fig.1a



AGI6000

Horizontal mounting



🔥 Inside thread

AGI6012/6018/6024: DN25 (1")

AGI6030: DN32 (1 1/4")

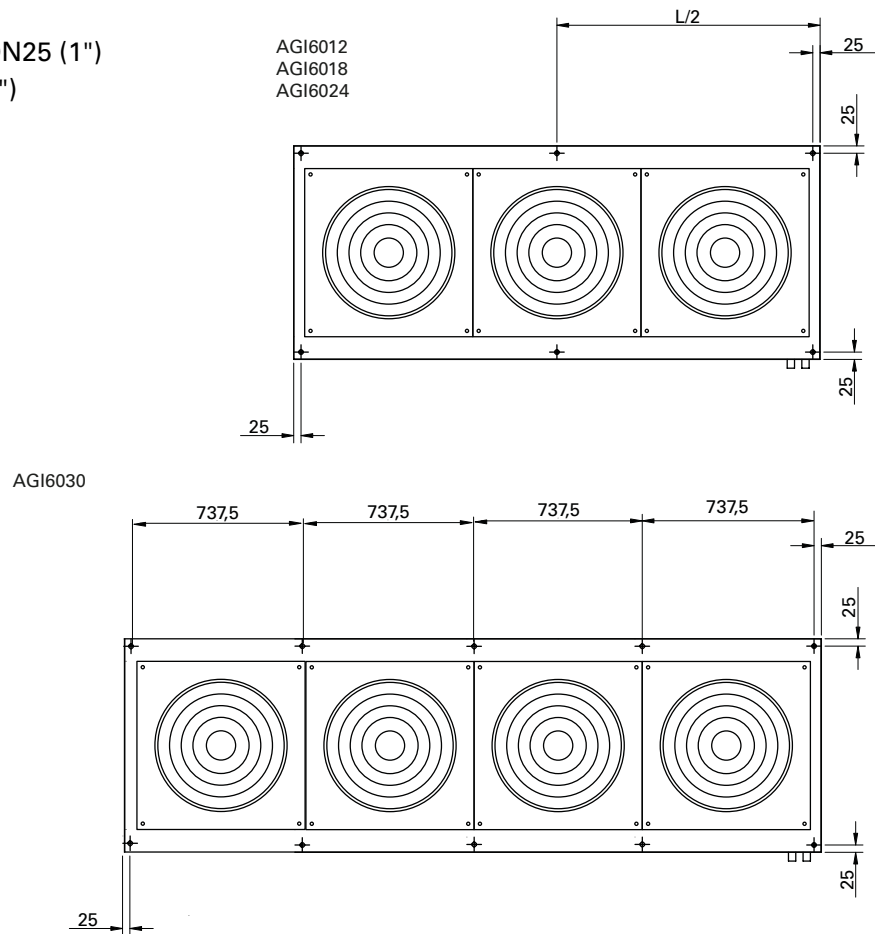


Fig.1b



AGI6000

Vertical mounting

25

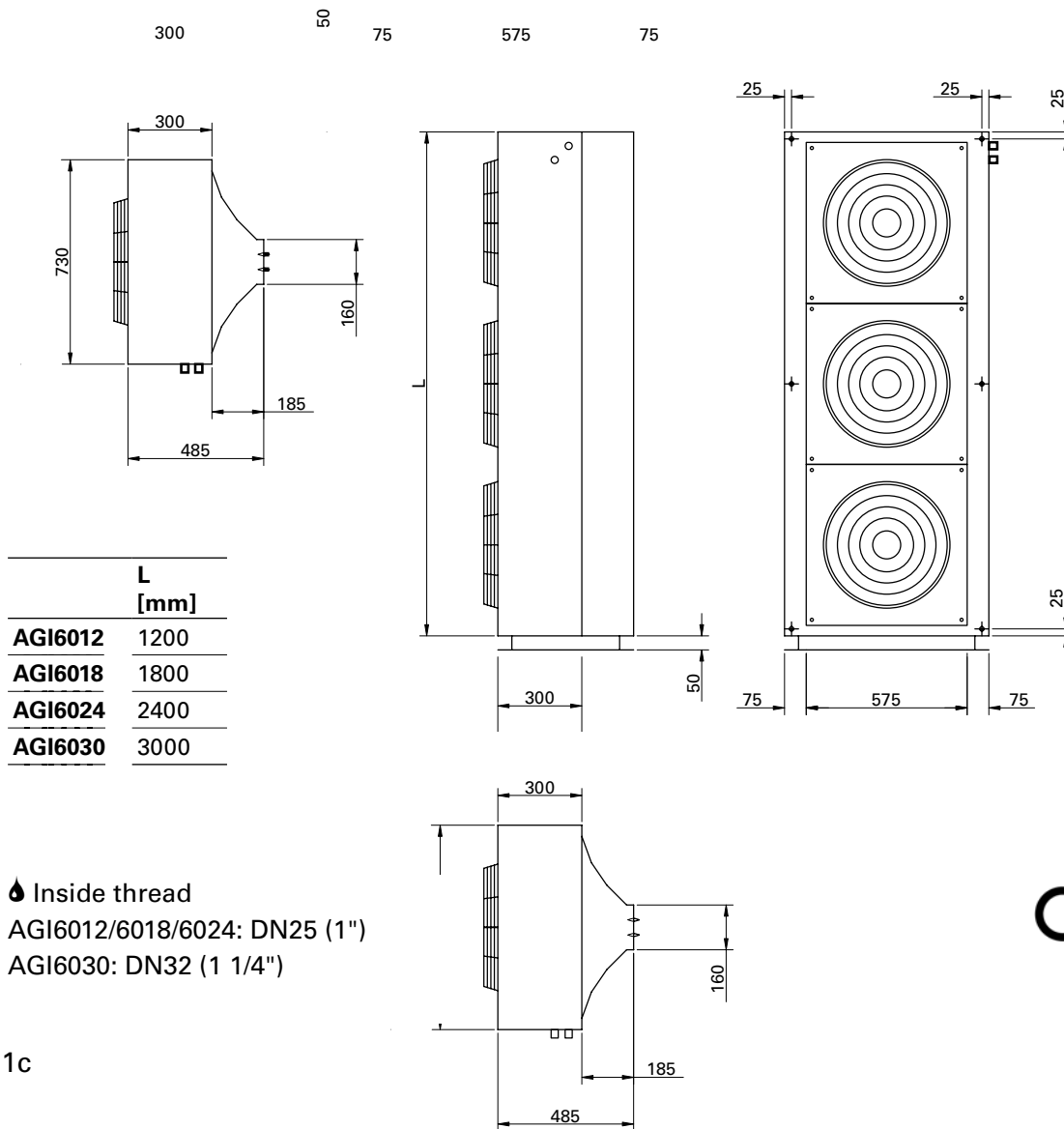
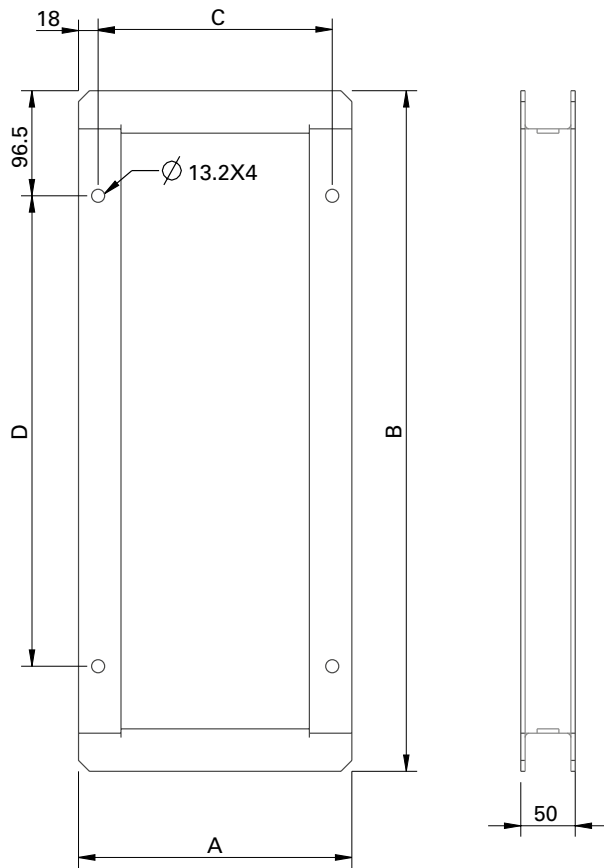


Fig.1c



	A [mm]	B [mm]	C [mm]	D [mm]
AGI4500	251	625	215	432
AGI6000	296	717	260	524

Fig. 2. Floor frame

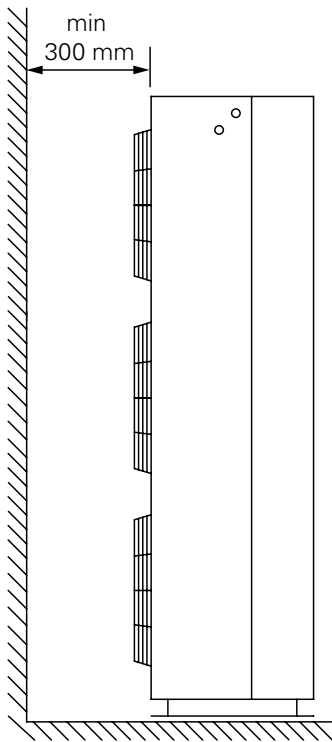
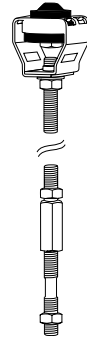


Fig. 3. Minimum distance

Accessories

DBS10-4	AGIH4515
DBS10-6	AGIH4520/4525/4530
GP1010	AGIH6000
AXP500	AGIV

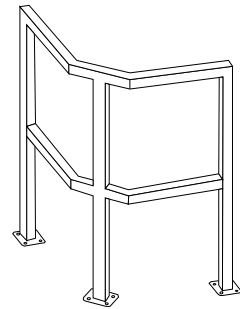
GP1010	
AGIH6012/6018/6024	6 pcs
AGIH6030	10 pcs



DBS



GP1010

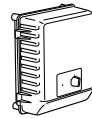


AXP500

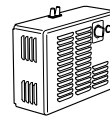
Controls

RTRD3
RTRD5.2
RTRD7
RTRD14
RTRDU7
T10S
RTI2
AGB304
MDC
MDCDC

Level 1



RTRD3/5.2/7



RTRD14



AGB304



T10S
(AGI W)

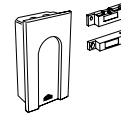
Level 2



RTRDU



RTI2



MDC

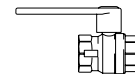


VRS20	DN20
VRS25	DN25
TVVS20	DN20
TVVS25	DN25
SD20	

VRS20/25



TRVS20/25



AV20/25



JVF20/25



BPV10



SD20

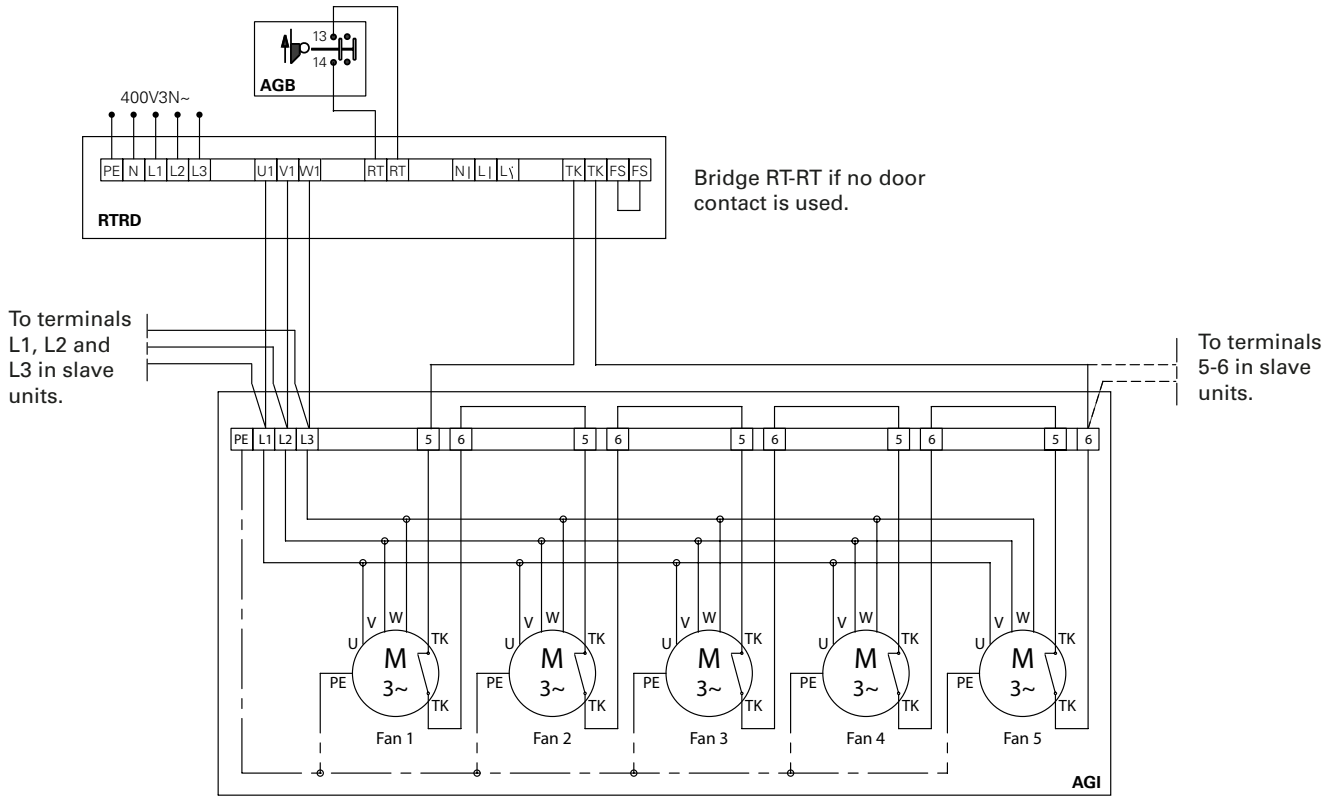


TVVS20/25



SD20

AGI4500/6000 A

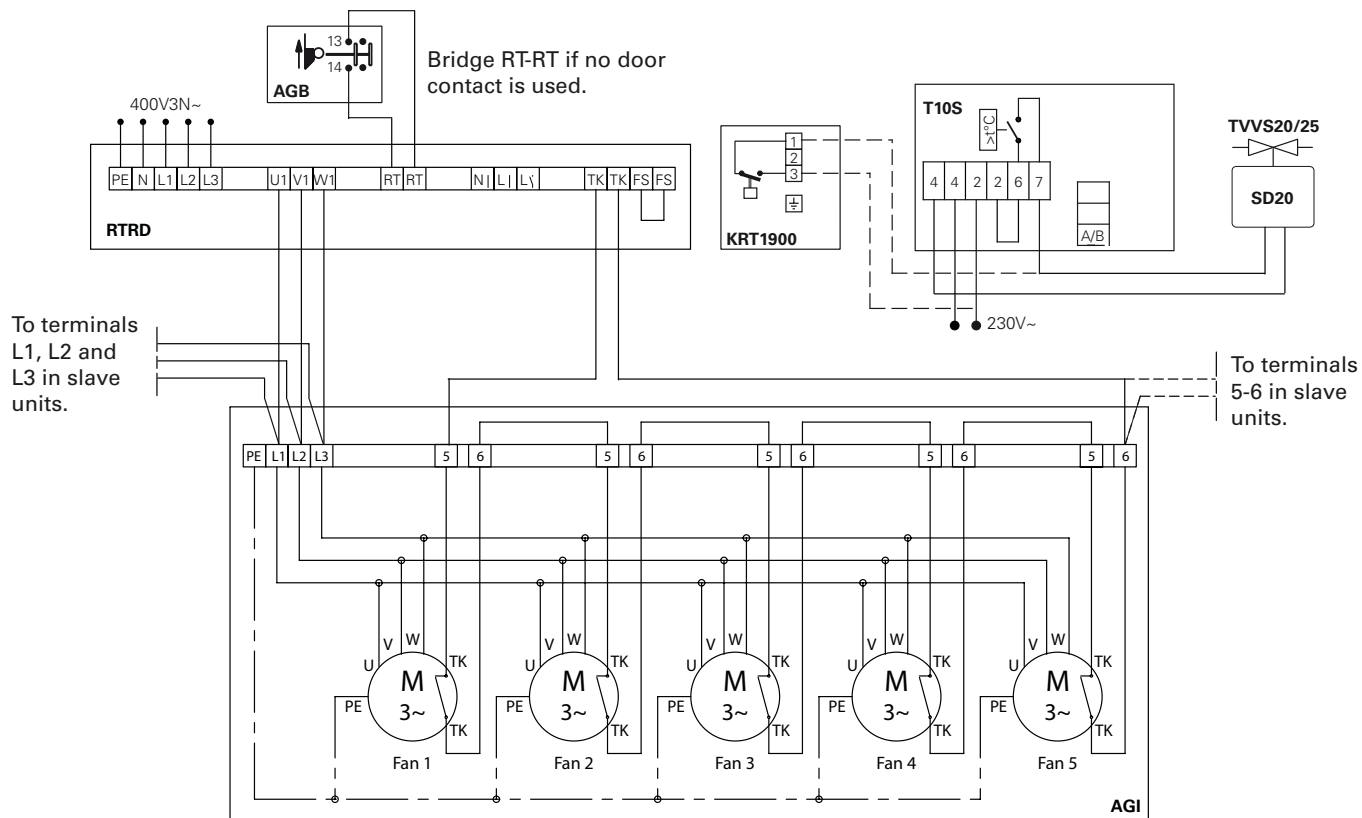


	Number of fans
AGI4515/AGI6012	2
AGI4520/AGI6018	3
AGI4525/AGI6024	4
AGI4530/AGI6030	5

AGI4500/6000

AGI4500/6000 W

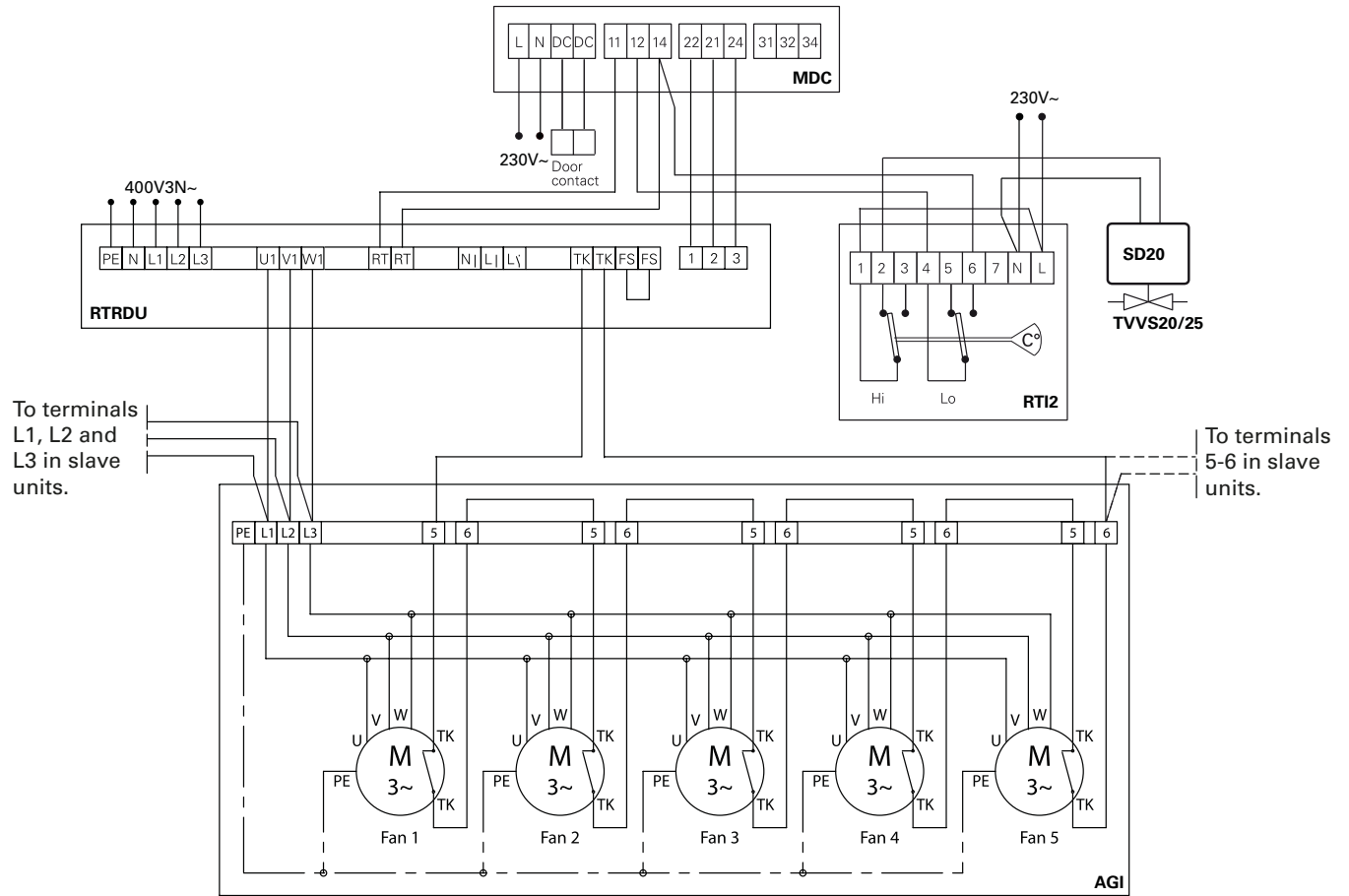
Level 1



	Number of fans
AGI4515/AGI6012	2
AGI4520/AGI6018	3
AGI4525/AGI6024	4
AGI4530/AGI6030	5

AGI4500/6000 W

Level 2

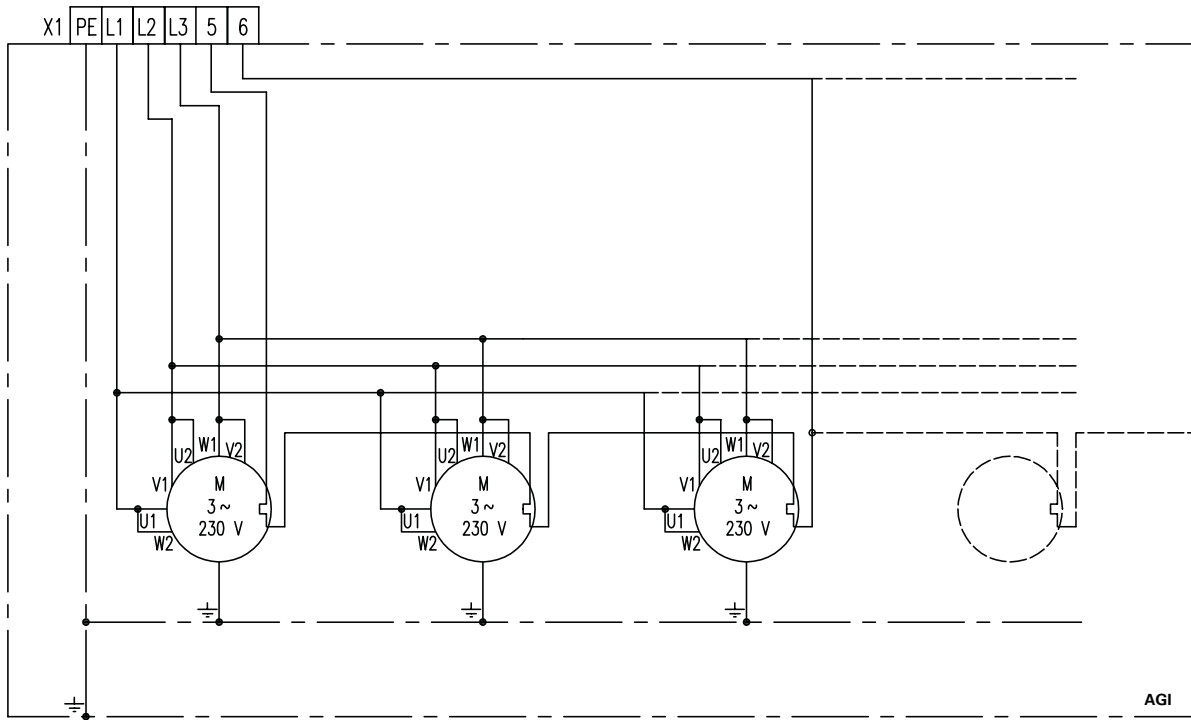


	Number of fans
AGI4515/AGI6012	2
AGI4520/AGI6018	3
AGI4525/AGI6024	4
AGI4530/AGI6030	5

AGI4500/6000

AGI4500/6000

230V3~



△ -connected - only for 230V3~

Convertible 400V3~ / 230V3~

Output charts water AGI4500WL

			Supply water temperature: 80 °C Room temperature: +18 °C Outlet air temperature: +35 °C*1				Water temperature: 80/60 °C Room temperature: +18 °C			
Type	Fan position	Airflow [m³/h]	Output [kW]	Return water temp. [°C]	Water flow [l/s]	Pressure drop [kPa]	Output *2 [kW]	Outlet air temp. [°C]	Water flow [l/s]	Pressure drop [kPa]
AGI4515WL	Max	5500	32	43	0,21	0,8	44	42	0,53	4,8
AGI4520WL	Max	7300	42	39	0,25	1,3	61	43	0,75	10,1
AGI4525WL	Max	9100	52	37	0,29	2,1	78	43,5	0,96	18
AGI4530WL	Max	10900	62	37	0,35	2,1	94	44	1,15	20

			Supply water temperature: 70 °C Room temperature: +18 °C Outlet air temperature: +35 °C*1				Water temperature: 70/50 °C Room temperature: +18 °C			
Type	Fan position	Airflow [m³/h]	Output [kW]	Return water temp. [°C]	Water flow [l/s]	Pressure drop [kPa]	Output *2 [kW]	Outlet air temp. [°C]	Water flow [l/s]	Pressure drop [kPa]
AGI4515WL	Max	5500	32	46	0,32	1,8	34	36,5	0,41	3
AGI4520WL	Max	7300	42	43	0,378	2,9	48	37,6	0,59	6,5
AGI4525WL	Max	9100	52	41	0,436	4,3	62	38	0,75	11,7
AGI4530WL	Max	10900	62	41	0,52	4,5	74	38	0,9	13

			Supply water temperature: 60 °C Room temperature: +18 °C Outlet air temperature: +35 °C*1				Water temperature: 60/40 °C Room temperature: +18 °C			
Type	Fan position	Airflow [m³/h]	Output [kW]	Return water temp. [°C]	Water flow [l/s]	Pressure drop [kPa]	Output *2 [kW]	Outlet air temp. [°C]	Water flow [l/s]	Pressure drop [kPa]
AGI4515WL	Max	5500	32	50	0,77	9,7	25	31	0,3	1,7
AGI4520WL	Max	7300	42	48	0,85	13,5	35	32	0,43	3,7
AGI4525WL	Max	9100	51	45	0,83	14,2	46	33	0,55	6,8
AGI4530WL	Max	10900	62	46	1,08	18	55	33	0,66	7,1

			Supply water temperature: 55 °C Room temperature: +18 °C Outlet air temperature: +35 °C*1				Water temperature: 55/35 °C Room temperature: +18 °C			
Type	Fan position	Airflow [m³/h]	Output [kW]	Return water temp. [°C]	Water flow [l/s]	Pressure drop [kPa]	Output *2 [kW]	Outlet air temp. [°C]	Water flow [l/s]	Pressure drop [kPa]
AGI4515WL	Max	5500	-	-	-	-	19	28	0,3	1,7
AGI4520WL	Max	7300	42	50	2,01	46,7	29	30	0,34	2,5
AGI4525WL	Max	9100	-	-	-	-	35	29,5	0,56	7,1
AGI4530WL	Max	10900	-	-	-	-	45	30	0,53	4,9

- = at the current water temperatures and airflows, the air outlet temperature will be less than 35 °C.

*1) Recommended outlet air temperature for good comfort and optimized output.

*2) Nominal output at given supply and return water temperature.

Output charts water AGI4500WH

			Supply water temperature:110 °C Room temperature: +18 °C Outlet air temperature: +35 °C*1				Water temperature: 110/80 °C Room temperature: +18 °C			
Type	Fan position	Airflow [m³/h]	Output [kW]	Return water temp. [°C]	Water flow [l/s]	Pressure drop [kPa]	Output *2 [kW]	Outlet air temp. [°C]	Water flow [l/s]	Pressure drop [kPa]
AGI4515WH	Max	5500	32	49	0,46	0,26	51	45,6	1,52	2,5
AGI4520WH	Max	7300	42	44	0,57	0,45	72	47,3	2,14	5,4
AGI4525WH	Max	9100	52	40,5	0,67	0,67	93	48,3	2,75	9,5
AGI4530WH	Max	10900	62	41	0,8	0,74	111	48,3	3,3	11,0

			Supply water temperature:90 °C Room temperature: +18 °C Outlet air temperature: +35 °C*1				Water temperature: 90/70 °C Room temperature: +18 °C			
Type	Fan position	Airflow [m³/h]	Output [kW]	Return water temp. [°C]	Water flow [l/s]	Pressure drop [kPa]	Output *2 [kW]	Outlet air temp. [°C]	Water flow [l/s]	Pressure drop [kPa]
AGI4515WH	Max	5500	31	53,5	0,21	0,7	42	40,5	0,51	3,8
AGI4520WH	Max	7300	42	49,5	0,26	1,12	58	41,8	0,72	7,9
AGI4525WH	Max	9100	52	46	0,29	1,58	74	42	0,9	10,4
AGI4530WH	Max	10900	63	47	0,36	1,85	90	42,5	1,1	16,1

			Supply water temperature:80 °C Room temperature: +18 °C Outlet air temperature: +35 °C*1				Water temperature: 80/60 °C Room temperature: +18 °C			
Type	Fan position	Airflow [m³/h]	Output [kW]	Return water temp. [°C]	Water flow [l/s]	Pressure drop [kPa]	Output *2 [kW]	Outlet air temp. [°C]	Water flow [l/s]	Pressure drop [kPa]
AGI4515WH	Max	5500	31	56	1,15	1,54	34	36,3	1,49	2,5
AGI4520WH	Max	7300	42	52,5	1,35	2,32	48	37,5	2,11	5,5
AGI4525WH	Max	9100	52	49,5	1,5	3,14	62	38,2	2,72	9,7
AGI4530WH	Max	10900	63	50	1,83	3,65	74	38,2	3,26	11,1

			Supply water temperature:82°C Room temperature: +18 °C Outlet air temperature: +35 °C*1				Water temperature: 82/71 °C Room temperature: +18 °C			
Type	Fan position	Airflow [m³/h]	Output [kW]	Return water temp. [°C]	Water flow [l/s]	Pressure drop [kPa]	Output *2 [kW]	Outlet air temp. [°C]	Water flow [l/s]	Pressure drop [kPa]
AGI4515WH	Max	5500	32	42	0,19	0,7	41	40,1	0,91	11,5
AGI4520WH	Max	7300	42	39	0,24	1,2	57	41,1	1,27	23,7
AGI4525WH	Max	9100	52	36	0,27	1,8	73	41,7	1,62	26,7
AGI4530WH	Max	10900	63	37	0,34	2,0	87	41,8	1,95	27,8

*1) Recommended outlet air temperature for good comfort and optimized output.

*2) Nominal output at given supply and return water temperature.

Output charts water AGI6000WL

			Supply water temperature: 80 °C Room temperature: +18 °C Outlet air temperature: +35 °C*1				Water temperature: 80/60 °C Room temperature: +18 °C			
Type	Fan position	Airflow [m³/h]	Output [kW]	Return water temp. [°C]	Water flow [l/s]	Pressure drop [kPa]	Output *2 [kW]	Outlet air temp. [°C]	Water flow [l/s]	Pressure drop [kPa]
AGI6012WL	Max	6600	38,8	38,0	0,23	6,3	55,1	42,5	0,67	47,8
AGI6018WL	Max	9600	56,4	40,0	0,35	2,4	77,5	41,7	0,95	15,7
AGI6024WL	Max	12600	71,6	38,0	0,42	2,8	103,6	42,1	1,26	21,2
AGI6030WL	Max	15600	90,7	38,0	0,53	1,9	130,1	42,4	1,59	14,6

			Supply water temperature: 70 °C Room temperature: +18 °C Outlet air temperature: +35 °C*1				Water temperature: 70/50 °C Room temperature: +18 °C			
Type	Fan position	Airflow [m³/h]	Output [kW]	Return water temp. [°C]	Water flow [l/s]	Pressure drop [kPa]	Output *2 [kW]	Outlet air temp. [°C]	Water flow [l/s]	Pressure drop [kPa]
AGI6012WL	Max	6600	37,2	41,0	0,31	11,4	43,9	37,5	0,53	31,3
AGI6018WL	Max	9600	55,4	44,0	0,52	5,1	61,6	36,8	0,75	10,2
AGI6024WL	Max	12600	73,8	44,0	0,69	7,0	82,3	37,1	1,00	13,9
AGI6030WL	Max	15600	93,0	44,0	0,87	4,7	103,4	37,4	1,26	9,5

			Supply water temperature: 60 °C Room temperature: +18 °C Outlet air temperature: +35 °C*1				Water temperature: 60/40 °C Room temperature: +18 °C			
Type	Fan position	Airflow [m³/h]	Output [kW]	Return water temp. [°C]	Water flow [l/s]	Pressure drop [kPa]	Output *2 [kW]	Outlet air temp. [°C]	Water flow [l/s]	Pressure drop [kPa]
AGI6012WL	Max	6600	39,4	50,0	0,96	96,0	32,5	32,5	0,39	18,1
AGI6018WL	Max	9600	55,4	50,0	1,35	31,7	45,5	31,9	0,55	5,9
AGI6024WL	Max	12600	74,1	50,0	1,80	42,7	60,7	32,1	0,74	8
AGI6030WL	Max	15600	93,0	50,0	2,26	29,5	76,5	32,4	0,93	5,4

			Supply water temperature: 55 °C Room temperature: +18 °C Outlet air temperature: +35 °C*1				Water temperature: 55/35 °C Room temperature: +18 °C			
Type	Fan position	Airflow [m³/h]	Output [kW]	Return water temp. [°C]	Water flow [l/s]	Pressure drop [kPa]	Output *2 [kW]	Outlet air temp. [°C]	Water flow [l/s]	Pressure drop [kPa]
AGI6012WL	Max	6600	37,3	50,0	2,01	404,9	26,8	29,9	0,32	12,7
AGI6018WL	Max	9600	54,7	53,0	5,89	565,0	37,3	29,4	0,45	4,1
AGI6024WL	Max	12600	73,2	53,0	7,89	728,4	49,6	29,6	0,60	5,6
AGI6030WL	Max	15600	88,3	50,0	4,76	126,1	62,7	29,8	0,76	3,8

*1) Recommended outlet air temperature for good comfort and optimized output.

*2) Nominal output at given supply and return water temperature.

Output charts water AGI6000WH

			Supply water temperature:110 °C Room temperature: +18 °C Outlet air temperature: +35 °C*1				Water temperature: 110/80 °C Room temperature: +18 °C			
Type	Fan position	Airflow [m³/h]	Output [kW]	Return water temp. [°C]	Water flow [l/s]	Pressure drop [kPa]	Output *2 [kW]	Outlet air temp. [°C]	Water flow [l/s]	Pressure drop [kPa]
AGI6012WH	Max	6600	37,3	47,0	0,15	0,9	57,9	43,7	0,48	7,9
AGI6018WH	Max	9600	56,5	47,0	0,22	1,2	87,4	44,7	0,72	10,9
AGI6024WH	Max	12600	71,2	44,0	0,27	1,2	115,9	45	0,95	12,5
AGI6030WH	Max	15600	88,6	44,0	0,33	0,7	145,7	45,4	1,20	8

			Supply water temperature:90 °C Room temperature: +18 °C Outlet air temperature: +35 °C*1				Water temperature: 90/70 °C Room temperature: +18 °C			
Type	Fan position	Airflow [m³/h]	Output [kW]	Return water temp. [°C]	Water flow [l/s]	Pressure drop [kPa]	Output *2 [kW]	Outlet air temp. [°C]	Water flow [l/s]	Pressure drop [kPa]
AGI6012WH	Max	6600	37,5	54,0	0,26	2,5	47	38,9	0,58	11,6
AGI6018WH	Max	9600	56,7	54,0	0,39	3,5	70,9	39,6	0,87	16
AGI6024WH	Max	12600	72,7	52,0	0,47	3,4	94	39,9	1,15	18,4
AGI6030WH	Max	15600	90,9	52,0	0,58	2,1	118,2	40,2	1,45	11,8

			Supply water temperature:80 °C Room temperature: +18 °C Outlet air temperature: +35 °C*1				Water temperature: 80/60 °C Room temperature: +18 °C			
Type	Fan position	Airflow [m³/h]	Output [kW]	Return water temp. [°C]	Water flow [l/s]	Pressure drop [kPa]	Output *2 [kW]	Outlet air temp. [°C]	Water flow [l/s]	Pressure drop [kPa]
AGI6012WH	Max	6600	37,2	58,0	0,40	6,0	38,7	35,2	0,47	8,1
AGI6018WH	Max	9600	56,2	58,0	0,61	8,4	58,4	35,8	0,71	11,2
AGI6024WH	Max	12600	74,7	58,0	0,81	9,7	77,5	36	0,95	12,9
AGI6030WH	Max	15600	88,1	54,0	0,82	4,1	97,4	36,3	1,19	8,2

			Supply water temperature:82°C Room temperature: +18 °C Outlet air temperature: +35 °C*1				Water temperature: 82/71 °C Room temperature: +18 °C			
Type	Fan position	Airflow [m³/h]	Output [kW]	Return water temp. [°C]	Water flow [l/s]	Pressure drop [kPa]	Output *2 [kW]	Outlet air temp. [°C]	Water flow [l/s]	Pressure drop [kPa]
AGI6012WH	Max	6600	38,0	58,0	0,39	5,5	45,4	38,2	1,01	34,6
AGI6018WH	Max	9600	55,7	56,0	0,52	6,2	68,5	38,9	1,53	47,5
AGI6024WH	Max	12600	71,6	54,0	0,62	5,9	90,8	39,1	2,02	54,2
AGI6030WH	Max	15600	89,7	54,0	0,78	3,7	114,3	39,5	2,55	34,9

*1) Recommended outlet air temperature for good comfort and optimized output.

*2) Nominal output at given supply and return water temperature.

Technical specifications AGI4500

✦ Ambient, no heat - AGIH4500 A Horizontal mounting (IP54)

Type	Output [kW]	Airflow [m ³ /h]	Sound power* ¹ [dB(A)]	Sound pressure* ² [dB(A)]	Voltage motor [V]	Amperage motor [A]	Length [mm]	Weight [kg]
AGIH4515A	0	5500	75	59	400V3~	1,1	1500	70
AGIH4520A	0	7300	76	60	400V3~	1,5	2000	90
AGIH4525A	0	9100	77	61	400V3~	1,9	2500	110
AGIH4530A	0	10900	78	62	400V3~	2,2	3000	130

♠ Water heat - AGIH4500 WL, coil for low water temperature (≤80 °C) Horizontal mounting (IP54)

Type	Output* ⁴ [kW]	Airflow [m ³ /h]	Δt* ^{3,4} [°C]	Water volume [l]	Sound power* ¹ [dB(A)]	Sound pressure* ² [dB(A)]	Voltage motor [V]	Amperage motor [A]	Length [mm]	Weight [kg]
AGIH4515WL	25	5500	13	7,2	75	59	400V3~	1,1	1500	109
AGIH4520WL	35	7300	14	9,7	76	60	400V3~	1,5	2000	141
AGIH4525WL	46	9100	15	12,3	77	61	400V3~	1,9	2500	174
AGIH4530WL	55	10900	15	14,6	78	62	400V3~	2,2	3000	212

♠ Water heat - AGIH4500 WH coil for high water temperature (≥80 °C) Horizontal mounting (IP54)

Type	Output* ⁵ [kW]	Airflow [m ³ /h]	Δt* ^{3,5} [°C]	Water volume [l]	Sound power* ¹ [dB(A)]	Sound pressure* ² [dB(A)]	Voltage motor [V]	Amperage motor [A]	Length [mm]	Weight [kg]
AGIH4515WH	34	5500	23	5,0	75	59	400V3~	1,1	1500	97
AGIH4520WH	48	7300	24	6,6	76	60	400V3~	1,5	2000	125
AGIH4525WH	62	9100	24	8,3	77	61	400V3~	1,9	2500	154
AGIH4530WH	74	10900	24	9,9	78	62	400V3~	2,2	3000	186

✦ Ambient, no heat - AGIV4500 A Vertical mounting (IP54)

Type	Output [kW]	Airflow [m ³ /h]	Sound power* ¹ [dB(A)]	Sound pressure* ² [dB(A)]	Voltage motor [V]	Amperage motor [A]	Height [mm]	Weight [kg]
AGIV4515A	0	5500	75	59	400V3~	1,1	1550	75
AGIV4520A	0	7300	76	60	400V3~	1,5	2050	95
AGIV4525A	0	9100	77	61	400V3~	1,9	2550	115
AGIV4530A	0	10900	78	62	400V3~	2,2	3050	135

♠ Water heat - AGIV4500 WL, coil for low water temperature (≤80 °C) Vertical mounting (IP54)

Type	Output* ⁴ [kW]	Airflow [m ³ /h]	Δt* ^{3,4} [°C]	Water volume [l]	Sound power* ¹ [dB(A)]	Sound pressure* ² [dB(A)]	Voltage motor [V]	Amperage motor [A]	Height [mm]	Weight [kg]
AGIV4515WL	25	5500	13	7,2	75	59	400V3~	1,1	1550	114
AGIV4520WL	35	7300	14	9,7	76	60	400V3~	1,5	2050	146
AGIV4525WL	46	9100	15	12,3	77	61	400V3~	1,9	2550	179
AGIV4530WL	55	10900	15	14,6	78	62	400V3~	2,2	3050	217

♠ Water heat - AGIV4500 WH, coil for high water temperature (≥80 °C) Vertical mounting (IP54)

Type	Output* ⁵ [kW]	Airflow [m ³ /h]	Δt* ^{3,5} [°C]	Water volume [l]	Sound power* ¹ [dB(A)]	Sound pressure* ² [dB(A)]	Voltage motor [V]	Amperage motor [A]	Height [mm]	Weight [kg]
AGIV4515WH	34	5500	23	5,0	75	59	400V3~	1,1	1550	102
AGIV4520WH	48	7300	24	6,6	76	60	400V3~	1,5	2050	130
AGIV4525WH	62	9100	24	8,3	77	61	400V3~	1,9	2550	159
AGIV4530WH	74	10900	24	9,9	78	62	400V3~	2,2	3050	191

*¹) Sound power (L_{WA}) measurements according to ISO 27327-2: 2014, Installation type E.

*²) Sound pressure (L_{pA}). Conditions: Distance to the unit 5 metres. Directional factor: 2. Equivalent absorption area: 200 m².

*³) Δt = temperature rise of passing air at maximum heat output and highest airflow.

*⁴) Applicable at water temperature 60/40 °C, air temperature, in +18 °C.

*⁵) Applicable at water temperature 80/60 °C, air temperature, in +18 °C.

Technical specifications AGI6000

✦ Ambient, no heat - AGIH6000 A Horizontal mounting (IP54)

Type	Output [kW]	Airflow [m ³ /h]	Sound power*1 [dB(A)]	Sound pressure*2 [dB(A)]	Voltage motor [V]	Amperage motor [A]	Length [mm]	Weight [kg]
AGIH6012A	0	6600	85	69	400V3~	2,0	1200	51
AGIH6018A	0	9600	87	71	400V3~	2,8	1800	75
AGIH6024A	0	12600	88	72	400V3~	3,7	2400	97
AGIH6030A	0	15600	89	73	400V3~	4,7	3000	120

♠ Water heat - AGIH6000 WL, coil for low water temperature (≤80 °C) Horizontal mounting (IP54)

Type	Output*4 [kW]	Airflow [m ³ /h]	Δt*3,4 [°C]	Water volume [l]	Sound power*1 [dB(A)]	Sound pressure*2 [dB(A)]	Voltage motor [V]	Amperage motor [A]	Length [mm]	Weight [kg]
AGIH6012WL	33	6600	15	6,6	85	69	400V3~	2,0	1200	72
AGIH6018WL	46	9600	14	10,1	87	71	400V3~	2,8	1800	112
AGIH6024WL	61	12600	14	14,0	88	72	400V3~	3,7	2400	150
AGIH6030WL	77	15600	14	17,6	89	73	400V3~	4,7	3000	185

♠ Water heat - AGIH6000 WH coil for high water temperature (≥80 °C) Horizontal mounting (IP54)

Type	Output*5 [kW]	Airflow [m ³ /h]	Δt*3,5 [°C]	Water volume [l]	Sound power*1 [dB(A)]	Sound pressure*2 [dB(A)]	Voltage motor [V]	Amperage motor [A]	Length [mm]	Weight [kg]
AGIH6012WH	39	6600	17	4,6	85	69	400V3~	2,0	1200	65
AGIH6018WH	58	9600	18	7,0	87	71	400V3~	2,8	1800	98
AGIH6024WH	78	12600	18	9,5	88	72	400V3~	3,7	2400	128
AGIH6030WH	97	15600	18	12,0	89	73	400V3~	4,7	3000	158

✦ Ambient, no heat - AGIV6000 A Vertical mounting (IP54)

Type	Output [kW]	Airflow [m ³ /h]	Sound power*1 [dB(A)]	Sound pressure*2 [dB(A)]	Voltage motor [V]	Amperage motor [A]	Height [mm]	Weight [kg]
AGIV6012A	0	6600	85	69	400V3~	2,0	1250	56
AGIV6018A	0	9600	87	71	400V3~	2,8	1850	80
AGIV6024A	0	12600	88	72	400V3~	3,7	2450	102
AGIV6030A	0	15600	89	73	400V3~	4,7	3050	125

♠ Water heat - AGIV6000 WL, coil for low water temperature (≤80 °C) Vertical mounting (IP54)

Type	Output*4 [kW]	Airflow [m ³ /h]	Δt*3,4 [°C]	Water volume [l]	Sound power*1 [dB(A)]	Sound pressure*2 [dB(A)]	Voltage motor [V]	Amperage motor [A]	Height [mm]	Weight [kg]
AGIV6012WL	33	6600	15	6,6	85	69	400V3~	2,0	1250	77
AGIV6018WL	46	9600	14	10,1	87	71	400V3~	2,8	1850	119
AGIV6024WL	61	12600	14	14,0	88	72	400V3~	3,7	2450	157
AGIV6030WL	77	15600	14	17,6	89	73	400V3~	4,7	3050	192

♠ Water heat - AGIV6000 WH, coil for high water temperature (≥80 °C) Vertical mounting (IP54)

Type	Output*5 [kW]	Airflow [m ³ /h]	Δt*3,5 [°C]	Water volume [l]	Sound power*1 [dB(A)]	Sound pressure*2 [dB(A)]	Voltage motor [V]	Amperage motor [A]	Height [mm]	Weight [kg]
AGIV6012WH	39	6600	17	4,6	85	69	400V3~	2,0	1250	70
AGIV6018WH	58	9600	18	7,0	87	71	400V3~	2,8	1850	103
AGIV6024WH	78	12600	18	9,5	88	72	400V3~	3,7	2450	133
AGIV6030WH	97	15600	18	12,0	89	73	400V3~	4,7	3050	163

*1) Sound power (L_{WA}) measurements according to ISO 27327-2: 2014, Installation type E.

*2) Sound pressure (L_{pA}). Conditions: Distance to the unit 5 metres. Directional factor: 2. Equivalent absorption area: 200 m².

*3) Δt = temperature rise of passing air at maximum heat output and highest airflow.

*4) Applicable at water temperature 60/40 °C, air temperature, in +18 °C.

*5) Applicable at water temperature 80/60 °C, air temperature, in +18 °C.

Инструкция по монтажу и эксплуатации

Общие положения

Внимательно изучите настоящую инструкцию до начала монтажа и эксплуатации. Сохраните данную инструкцию для возможных обращений в будущем.

Оборудование может быть использовано только по назначению, определенному данной Инструкцией. Гарантия распространяется на установки, выполненные и используемые в соответствии с требованиями и предписаниями настоящей Инструкции.

Область применения

Воздушные завесы серии AGI предназначены для горизонтальной и вертикальной установки в больших проемах промзданий, логистических центров, складов и грузовых терминалов.

Рекомендуемая высота установки до AGI4500: 4,5 м и AGI6000: 6 м. Модельный ряд состоит из воздушных завес без обогрева и с подводом горячей воды.

Класс защиты: IP54.

Назначение и принцип действия

Воздух забирается на верхней/задней панели завесы, завеса располагается как можно ближе к краю проема и, для достижения оптимального защитного эффекта, по всей его ширине/высоте.

Выходная решетка дает возможность направлять поток под необходимым углом так, чтобы эффект защиты был максимален.

Эффективность воздушной завесы зависит от разности температур и давлений в проеме, а также от ветровой нагрузки.

ВНИМАНИЕ! Пониженное давление внутри здания будет существенно снижать эффективность работы воздушной завесы. Вентиляция должна быть сбалансированной.

Монтаж

Завесы изготавливаются в версиях для вертикальной или горизонтальной установки. Смотрите чертеж с основными размерами.

Горизонтальная установка

Воздушная завеса располагается горизонтально как можно ближе к краю проема с направлением струи сверху вниз.

Завеса может быть подвешена с потолка на резьбовых стержнях. Для защиты широких проемов используются несколько завес, устанавливаемых вплотную друг к другу.

Вертикальная установка

Воздушная завеса располагается как можно ближе к плоскости дверного проема, при достаточно большой ширине проема завесы необходимо устанавливать с обеих сторон.

Завеса может быть повернута и располагаться с любой из сторон проема. Монтажная плата для установки вертикальных завес входит в комплект поставки. Монтажная плата крепится к полу с помощью анкерных болтов.

См. рис.2.

Две завесы могут монтироваться в вертикальную колонну, между собой они соединяются при помощи монтажной платы, которая входит в комплект поставки. В верхней части завеса должна крепиться к стене или потолку.

Электроподключение

Установка должна подключаться к сети через всеполюсной автомат защиты с воздушным зазором не менее 3мм. Все работы должны выполняться квалифицированным специалистом с соблюдением действующих норм и правил.

Питание(400В3~) подводится к клеммной коробке. Ввод кабеля в корпус производится через резиновые втулки с тем, чтобы обеспечить заявленный класс защиты. Смотрите электросхемы.

Подключение теплообменника (W)

Все работы должны производиться квалифицированным специалистом.

Теплообменник имеет медную трубную систему с алюминиевым оребрением и предназначен для работы в замкнутых отопительных сетях. Он не предназначен для работы в сетях высокого давления или открытых контурах отопления.

Внимание! На напорной ветке должен быть расположен запорный вентиль, см. раздел Комплекты запорно-регулирующей арматуры.

Теплообменник подключается к сети через соединительные патрубки, которые расположены на боковой поверхности прибора, размеры приведены в таблице. На соединительных трубах должны быть установлены запорные клапаны для отключения теплообменника, в случае необходимости, от сетей отопления.

Настройка воздушного потока

Направление и скорость воздушного потока должны выбираться в зависимости от нагрузки на проем. Давление воздуха снаружи воздействует на воздушный поток от завесы, изгибая его внутрь помещения (зимние условия).

Таким образом поток воздуха должен направляться в сторону улицы, чтобы противодействовать нагрузке. Как правило, чем больше нагрузка, тем на больший угол (в пределах 30°) следует отклонять поток.

Основные настройки скорости потока

Скорость потока при открытых дверях задается системой управления. Имейте в виду, что при изменении внешних условий (ветер, температура и т.д.) может потребоваться перенастройка направления и скорости потока.

Фильтр (W)

Конструкция теплообменника с достаточно большим зазором между пластинами оребрения наряду с мелкоячеистой решеткой забора воздуха, которая сама по себе является препятствием для проникновения загрязнений на поверхность теплообменника, делают не целесообразным применение дополнительного воздушного фильтра.

Сервис, обслуживание и ремонт

При любых сервисных и ремонтных работах отключите питание на распределительном щите.

Обслуживание

Внутренние узлы и агрегаты не требуют обслуживания, при необходимости нужно лишь производить периодическую чистку. Частота определяется в зависимости от конкретных условий, но не реже двух раз в год. Решетки входа/выхода, вентиляторы и нагревательные

элементы можно чистить с помощью пылесоса или влажной тряпкой. При чистке пылесосом используйте щеточную насадку. Использование активных очищающих составов не допускается.

Перегрев

Все электродвигатели оборудованы встроенной термозащитой. При внештатном повышении температуры термозащита отключит прибор. После снижения температуры она автоматически включит электродвигатели.

Замена вентиляторов

1. Определите, какой из вентиляторов неисправен.
2. Отключите кабели неисправного агрегата.
3. Отверните крепежные винты и извлеките его из корпуса завесы.
4. Установите на его место исправный и проделайте все в обратном порядке.

Замена теплообменника (W)

1. Закройте вентили, отключив теплообменник от отопительной сети.
2. Отверните соединения, освободив патрубки.
3. Отверните крепежные винты и извлеките теплообменник из корпуса завесы.
4. Замените неисправный и проделайте все в обратном порядке.

Слив теплообменника (W)

Дренажные клапана расположены на нижней части коллекторов.

Возможные неисправности

Если вентиляторы не работают или не обеспечивают расчетный режим проверьте следующее:

- Наличие питания, предохранители и автоматы защиты, таймер, термостат, концевой выключатель и другие управляющие устройства.
- Правильность установки селектора режимов
- Состояние концевой выключателя.
- Состояние элементов термозащиты.
- Проверьте не загромождены ли каналы входа/выхода воздуха какими-либо предметами или материалами, степень загрязненности фильтра.

Если отсутствует нагрев проверьте следующее:

- Проверьте, что установки термостата, состояние всеполюсного автомата защиты, и т.п. не препятствуют работе блока нагрева.

Для завес на горячей воде проверьте следующее:

- Не завоздушен ли теплообменник.
- Достаточен ли расход воды.
- Вода на входе имеет достаточно высокую температуру.

Если неисправность не определяется, обратитесь к квалифицированным специалистам.

Безопасность

- *Пространство вблизи каналов входа/выхода воздуха должно быть свободно от каких либо предметов или материалов!*
- *При работе прибора поверхности могут нагреваться!*
- *При любых работах с тяжелым оборудованием, используйте грузоподъемные механизмы.*
- *Настоящий прибор не предназначен для использования детьми до 8 лет, людьми не прошедшими специальный инструктаж или лицами с ограниченной дееспособностью, если только они не сопровождаются или не инструктируются персоналом, ответственным за их безопасность. Дети не должны иметь свободного доступа к данному прибору. В случае, если дети привлекаются к чистке или техническому уходу за прибором, необходим строгий контроль со стороны лица, ответственного за их безопасность.*

Перевод текста для страниц с рисунками

• Horizontal mounting	= Горизонтальная установка
• Vertical mounting	= Вертикальная установка
• Inside thread	= Внутренняя резьба
• Floor frame	= Декоративная рамка
• Minimum distance	= Минимальные расстояния при установке
• Accessories	= Принадлежности
• pcs	= штук
• Controls	= Приборы управления
• Level	= Вариант
• Bridge RT-RT if no door contact is used.	= Переключатель RT-RT, если не используется концевой выключатель.
• To terminals L1, L2 and L3 in slave units.	= На клеммы L1, L2 и L3 в ведомых аппаратах.
• To terminals 5-6 in slave units.	= На клеммы 5-6 в ведомых аппаратах.
• Number of fans	= Количество вентиляторов
• Convertible 400V3~ / 230V3~	= Convertible. 400V3~ / 230V3~

Таблицы мощности для завес с подводом воды

Supply water temperature [°C]	= Температура воды на входе
Room temperature [°C]	= Температура в помещении
Outlet air temperature*1 [°C]	= Температура воздуха на выходе
Water temperature [°C]	= Температура воды
Fan position	= Положение вентилятора
Airflow [m ³ /h]	= Расход воздуха
Output*2 [kW]	= Мощности
Return water temperature [°C]	= Температуры обратной воды
Water flow [l/s]	= Расход воды
Pressure drop [kPa]	= Падение давления

– = при текущих температурах воды и воздуха, температура воздуха на выходе из прибора будет ниже, чем 35 °С.

*1) Рекомендуемая температура воздуха на выходе для оптимальной мощности и комфорта.

*2) Тепловая мощность при заданных параметрах температуры воды на входе и выходе.

Технические характеристики

Output*3,4 [kW]	= Мощность
Airflow [m ³ /h]	= Расход воздуха
Sound power*1 [dB(A)]	= Мощность звука
Sound pressure*2 [dB(A)]	= Звуковое давление
Voltage motor [V]	= Напряжение, мотор
Amperage motor [A]	= Сила тока, мотор
Length [mm]	= Длина
Weight [kg]	= Вес
Water volume [l]	= Объем воды

*1) Мощность звука (L_{WA}) измерена в соответствии с ISO 27327-2: 2014, Тип установки E.

*2) Звуковое давление (L_{pA}). Условия: Расстояние до прибора 5 метров. Фактор направленности 2. Эквивалентная площадь звукопоглощения 200 м².

*3) Δt = подогрев потока при максимальной мощности и скорости.

*4) Для температуры воды 60/40 °С, и воздуха на входе +18 °С.

*5) Для температуры воды 90/70 °С и воздуха на входе +18 °С.